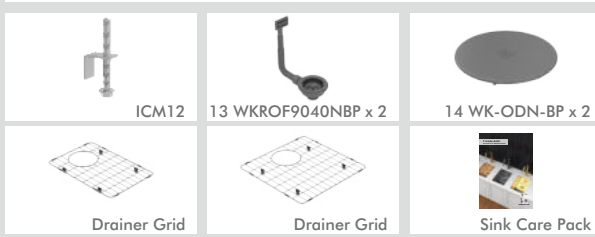




Model Code: 13 CAN660DRHBP

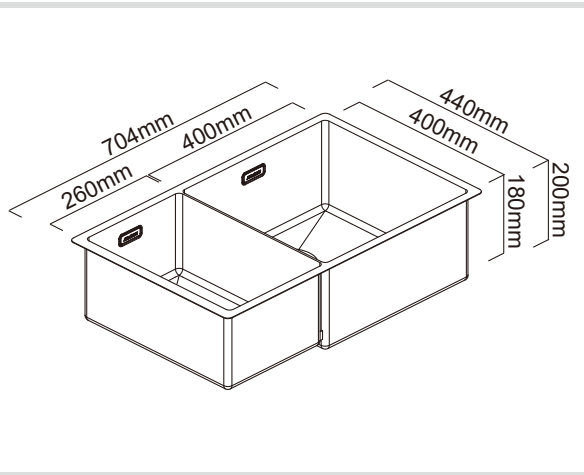
### Included Accessories



### Optional Accessories



### Dimensions



### Specifications

Description	Double Bowl, Undermount/Inset Sink
Overall Sink Size	704mm x 440mm x 200mm deep
Bowl Dimensions	260mm x 400mm x 180mm deep 400mm x 400mm x 200mm deep
Drainer Length	N/A
Technic	Fabrication
Material	Stainless steel SUS304

### Installation

Fixings	Inset clips supplied
Template	N/A
Min Cabinet Size	750mm
Waste Holes	2 x 90mm round Compatible with waste disposal

### Plumbing

Waste Fittings	2 x (90mm x 1 1/2") basket wastes included
Overflow	Included

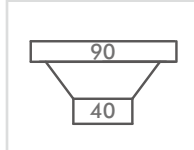
### Packaging

Carton Type	EPS protection & individual carton
Gross Weight	8.23Kg
Carton Size	790mm x 286mm x 513mm
Pack QTY	1

#### SURFACE FINISH



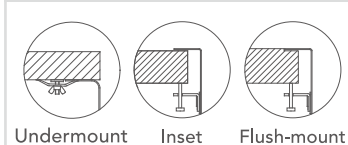
#### WASTE KIT



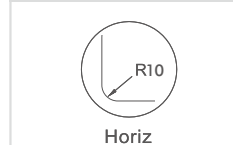
#### MATERIAL



#### INSTALLATION OPTIONS



#### PROFILE



Burns & Ferrall is pleased to offer a limited 25-year warranty on all Zomodo sinks used in normal domestic installations. Burns & Ferrall warrants its sinks to be free from all manufacturing defects in material and workmanship. Burns & Ferrall warrants Zomodo waste kits, basket sieves and overflow assembly to be free from manufacturing defects for a period of one (1) year. Burns & Ferrall warrants Zomodo taps' stainless steel casing to be free from manufacturing defects for a period of twenty-five (25) years, the supply hose and inner cartridge for a period of five (5) years, and the inner parts including the aerator and O-ring for a period of one (1) year from the date of purchase. Burns & Ferrall will repair or replace (at Burns & Ferrall's discretion), at no charge, excluding labour, any product supplied by Burns & Ferrall that is proven to be defective under normal use.

Please visit [www.zomodo.co.nz/warranty](http://www.zomodo.co.nz/warranty) for full terms & conditions.