



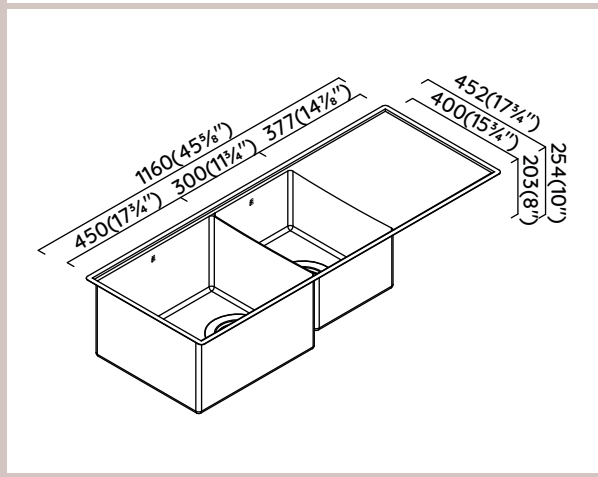
Model Code:SQC450DU

### Included Accessories

 SCF-SQC450D	 CNC3842R	 COC-55	 BGC3040R	 BGC4540R	 BGC100
 WK-ODC x 2	 UMG6 x 2	 ICM6 x 2	 WK-06/40C	 WC11	 Sink Care Pack

### Optional Accessories


### Dimensions



### Specifications

Description	Double Bowl 60/40 & Drainer
Overall Sink Size	45 5/8" x 17 3/4" x 10" deep
Bowl Dimensions	17 3/4" x 15 3/4" x 10" deep 11 3/4" x 15 3/4" x 8" deep
Drainer Length	14 7/8"
Installation	Inset (topmount) or Fushmount & Undermount
Thickness	18ga
Material	SUS304 Stainless Steel

### Installation

Fixings	Inset & Undermount clips supplied
Template	Supplied
Min Cabinet Size	33"
Waste Holes	2 x 3 1/2" round Compatible with waste disposal

### Plumbing

Waste Fittings	2 x (3 1/2" x 2") basket wastes included PVC Tailpiece
----------------	---

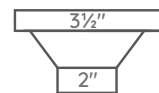
### Packaging

Carton Type	Eco packaging & Individual carton
Gross Weight	63.93 lbs
Carton Size	48 7/8" x 13 3/4" x 21 7/8"'''
Pack QTY	1

#### SURFACE FINISH



#### WASTE KIT

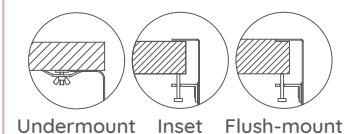


#### MATERIAL



Stainless Steel

#### INSTALLATION OPTIONS



#### PROFILE



For warranty conditions and terms please visit: [www.zomodo.ca/productcare/warranty/](http://www.zomodo.ca/productcare/warranty/)

All Zomodo sinks/drain kits sold in Canada are cUPC or CSA approved.

All Zomodo sinks are tested and exceed the requirements of CSA standard ASME A112.19.3-2008/CSA B45.4-08 - Stainless steel plumbing fixtures.

All Zomodo faucets are fully tested and all components including the cartridge, aerator, hoses, and valves are cUPC (CSA B125.1) certified and NSF 61 certified.