



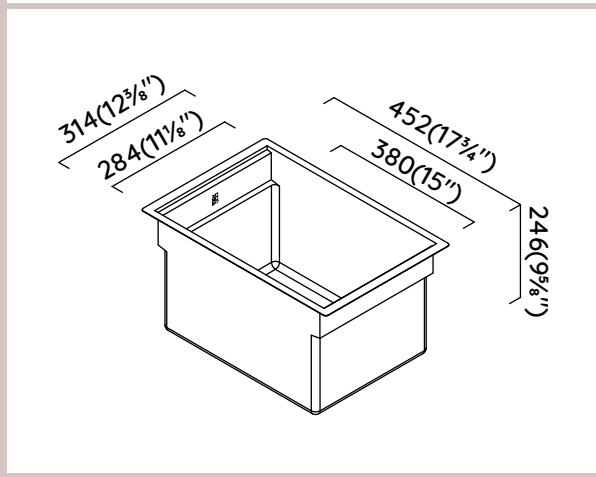
Model Code:IQC285

Included Accessories

 SCF-SQC450D	 COC-29	 WK-ODC	 ICM8
 UMG8	 WK-06/40C	 WC11	 Sink Care Pack

Optional Accessories

Dimensions



Specifications

Description	Integrato Q Bar Sink
Overall Sink Size	12 ³ / ₈ " x 17 ³ / ₄ " x 9 ⁵ / ₈ " deep
Bowl Dimensions	11 ¹ / ₈ " x 15" x 9 ⁵ / ₈ " deep
Installation	Inset (topmount) or Fushmount & Undermount
Thickness	18ga
Material	SUS304 Stainless Steel

Installation

Fixings	Inset & Undermount clips supplied
Template	Supplied
Min Cabinet Size	15"
Waste Holes	1 x 3 ¹ / ₂ " round Compatible with waste disposal

Plumbing

Waste Fittings	1 x (3 ¹ / ₂ " x 1 ¹ / ₂ ") basket wastes included PVC Tailpiece
----------------	---

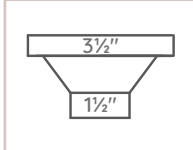
Packaging

Carton Type	Eco packaging & Individual carton
Gross Weight	22.05 lbs
Carton Size	17 ⁷ / ₈ " x 13 ³ / ₄ " x 21 ¹ / ₈ "
Pack QTY	1

SURFACE FINISH



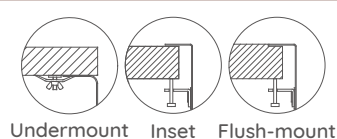
WASTE KIT



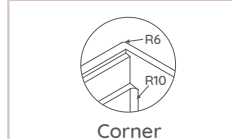
MATERIAL



INSTALLATION OPTIONS



PROFILE



For warranty conditions and terms please visit: www.zomodo.ca/productcare/warranty/

All Zomodo sinks/drain kits sold in Canada are cUPC or CSA approved.
All Zomodo sinks are tested and exceed the requirements of CSA standard ASME A112.19.3-2008/CSA B45.4-08 - Stainless steel plumbing fixtures.
All Zomodo faucets are fully tested and all components including the cartridge, aerator, hoses, and valves are cUPC (CSA B125.1) certified and NSF 61 certified.