

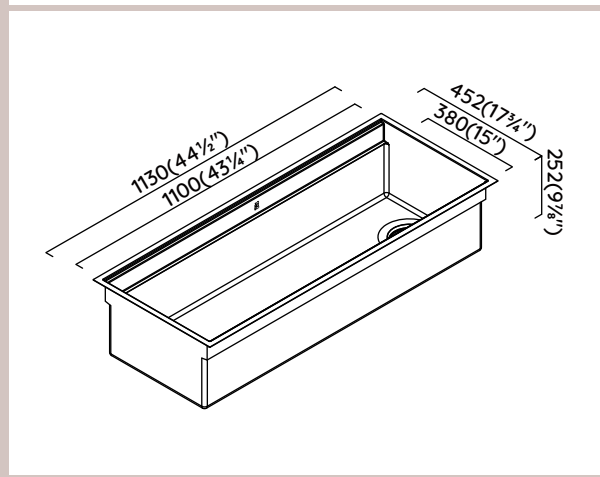


Model Code: IQC1100

## Included Accessories

 SCF-IQC1100	 CNC3840R	 ASC05Q	 ASC09Q	 COC-29	 DRC024Q	 ESC380	 CBF260R10C
 WK-ODC	 UMG6 x 2	 ICM6 x 2	 WK-06/40C	 WC11	 Sink Care Pack		

## Dimensions



## Specifications

Description	Integrato Q Super Single Sink
Overall Sink Size	44½" x 17¾" x 9⅞" deep
Bowl Dimensions	43¼" x 15" x 9⅞" deep
Installation	Inset (topmount) or Fushmount & Undermount
Thickness	18ga
Material	SUS304 Stainless Steel

## Installation

Fixings	Inset & Undermount clips supplied
Template	Supplied
Min Cabinet Size	48"
Waste Holes	1 x 3½" round Compatible with waste disposal

## Plumbing

Waste Fittings	1 x (3½" x 1½") basket wastes included PVC Tailpiece
----------------	---

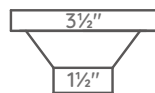
## Packaging

Carton Type	Eco packaging & Individual carton
Gross Weight	70.55 lbs
Carton Size	47¼" x 13¾" x 22½"
Pack QTY	1

### SURFACE FINISH



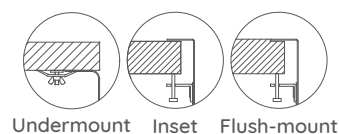
### WASTE KIT



### MATERIAL



### INSTALLATION OPTIONS



### PROFILE



For warranty conditions and terms please visit: [www.zomodo.ca/productcare/warranty/](http://www.zomodo.ca/productcare/warranty/)

All Zomodo sinks/drain kits sold in Canada are cUPC or CSA approved.

All Zomodo sinks are tested and exceed the requirements of CSA standard ASME A112.19.3-2008/CSA B45.4-08 - Stainless steel plumbing fixtures.

All Zomodo faucets are fully tested and all components including the cartridge, aerator, hoses, and valves are cUPC (CSA B125.1) certified and NSF 61 certified.