

**ZO
MO
DO**

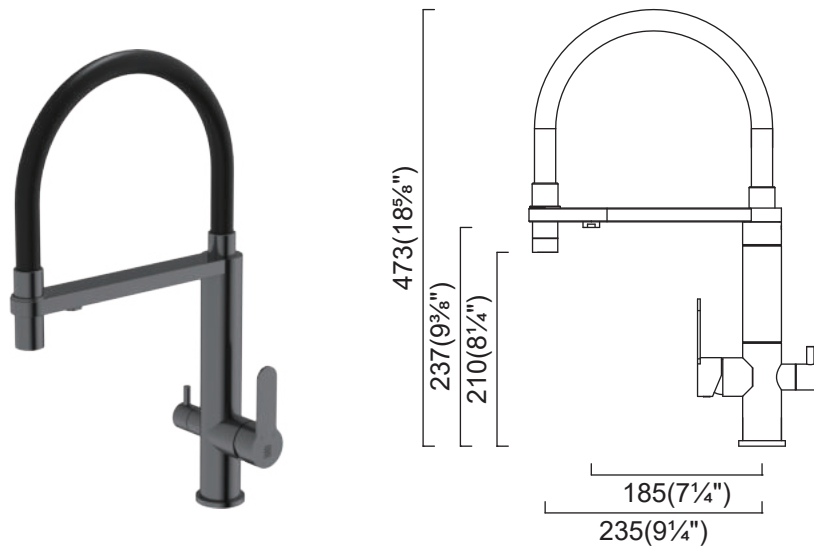
ZOMODO.CA



FAUCET INSTALLATION

**ZO
MO
DO**

ZO
MO
DO



Care and Maintenance

In order to ensure proper function over the lifetime of the faucet, smoothly operate the handle and pull-out hand shower during use. When installing do not over tighten the locking nut. Regularly clean the faucet with a soft, damp cloth and avoid abrasive cleaners, steel wool, and strong chemicals.

Working Specifications

Working pressure: 20-100 psi

Working temperature: 1-60°C

This faucet must be installed with isolating/wall valves in accordance with local installation codes. All ZOMODO faucets are strongly recommended to be installed by a licensed plumber. Improper installation may void the warranty.

Notes

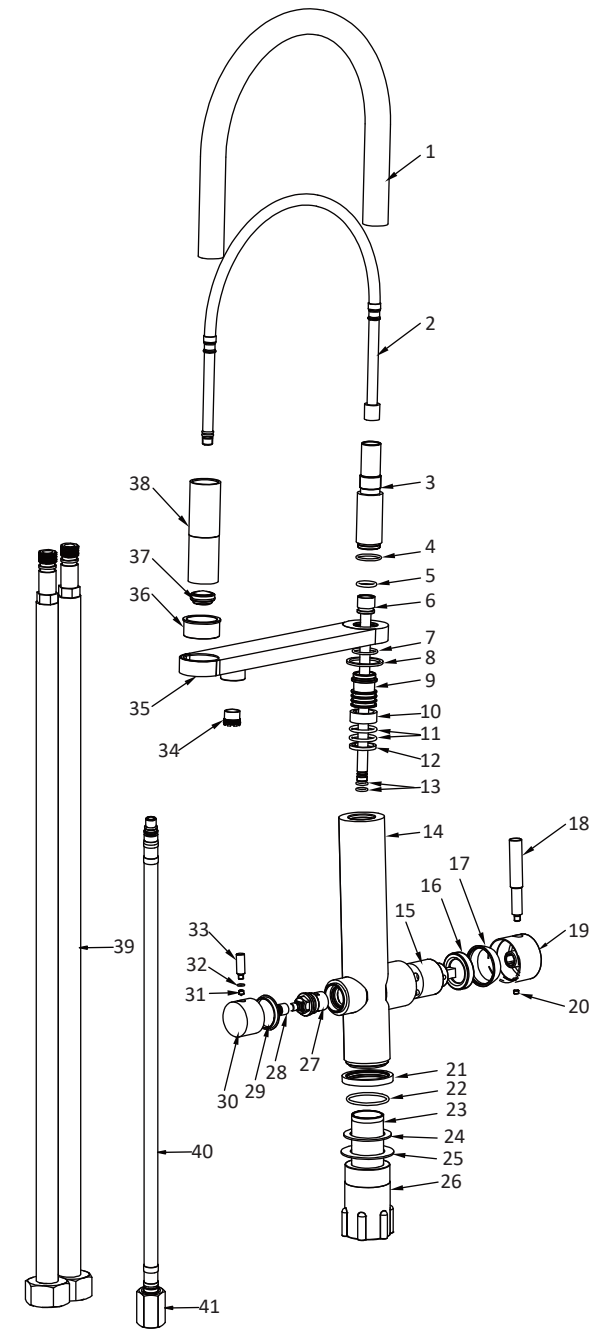
1. All pipework must be thoroughly flushed prior to installation as foreign materials may block the flow .
2. Aerator and the flow control can be removed with standard tool and cleaned.
3. If a screen-filter is fitted into the faucet, remove it and flush the pipes and faucet to remove grit. Then re-insert the screen.

KTC032

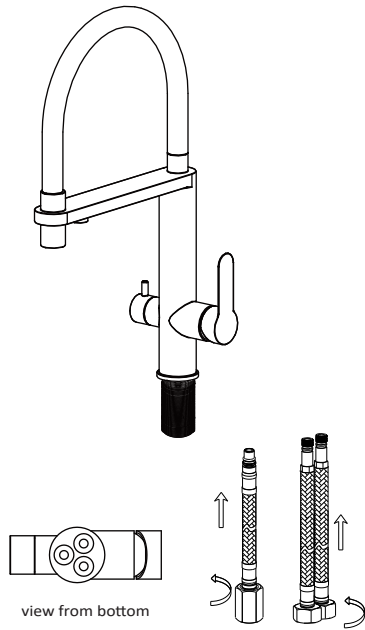
ZO
MO
DO

Parts List

- 1 Rubber hose
- 2 Inner hose
- 3 Rubber hose connecter
- 4 O-ring
- 5 O-ring
- 6 Connector
- 7 O-ring
- 8 Washer
- 9 Connector
- 10 Snap ring
- 11 O-ring
- 12 Snap ring
- 13 O-ring
- 14 Faucet body
- 15 Cartridge
- 16 Locking Nut
- 17 Cover
- 18 Pin lever
- 19 Handle cap
- 20 Screw
- 21 Base
- 22 O-ring
- 23 Locking Screw
- 24 Plastic washer
- 25 Steel washer
- 26 Plastic locking nut
- 27 Diverter cartridge
- 28 Thread nut
- 29 Washer
- 30 Handle cap
- 31 Screw
- 32 O-ring
- 33 Pin lever
- 34 Aerator
- 35 Spout
- 36 Spout coat
- 37 Aerator
- 38 Pull out spray
- 39 Flexible hose
- 40 Filter flexible hose
- 41 Quick coupler



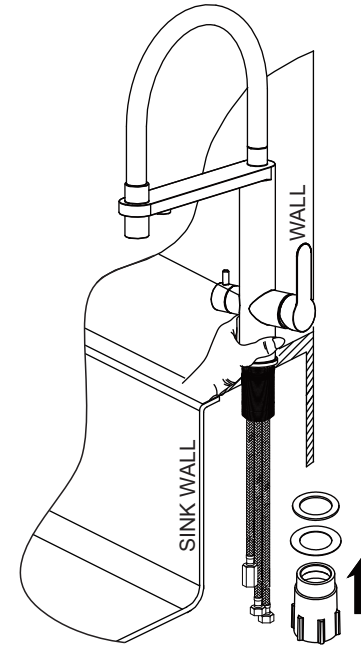
KTC032



Step 1

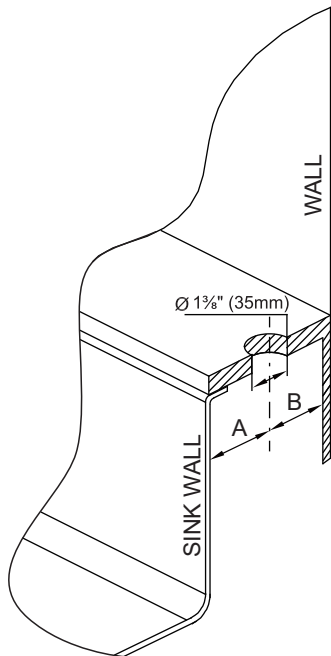
Attach the hoses (39,40) to faucet body and tighten firmly. Do not use thread tape, as the water-tight seal is provided by O-rings. Do not over tighten.

Note: Match the hose to its hole by the coloured stickers. Each hose & hole will have its own colour sticker on both parts to show which hose goes into which hole. The hose with the RED braid-strands is always for hot water connection.



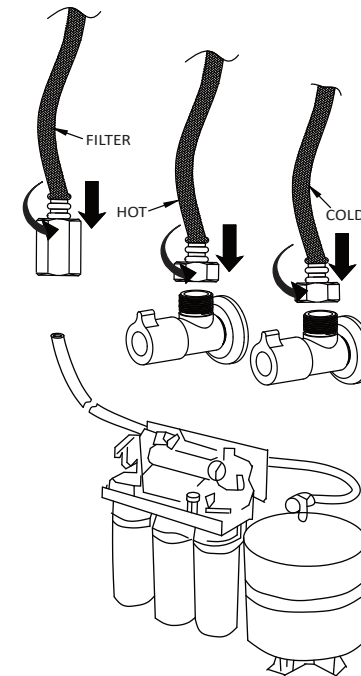
Step 3

Insert the faucet into the countertop and ensure the O-ring (22) is secure in the groove of the faucet body. Then slide the washers (24 and 25) onto the threaded body of the faucet followed by the nut (26) in the order shown in the diagram. Tighten the nut (26) by hand and ensure the faucet is correctly aligned above the countertop.



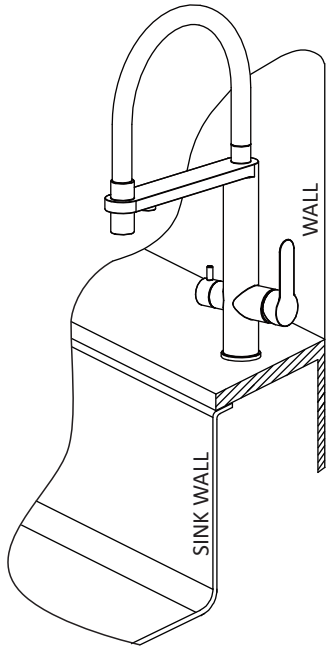
Step 2

Locate a hole centre in the countertop at least 3" (76mm) from the wall and with enough clearance to the rim/flange of the sink. Dim. A = 2 1/4" (57mm) and Dim. B > 3" (76mm). If you need to locate the faucet within these dimensions, you should ensure enough clearance for the mounting washers and nut (24,25,26). Cut a hole 1 3/8" (35mm) diameter into the countertop .



Step 4

Flush the wall valves to ensure no grit in the faucet. Now attach the hoses to the wall valves ensuring the hose with RED braid attaches to the hot water inlet. Connect the filter hose (40) and Quick coupler (41) to the flex line of the filter cartridge. The fitting provided with the filter system is not needed as the flex line goes straight into Quick coupler (41).



Step 5

Test the faucet flow and mix functions. If any grit etc has entered the faucet you can easily remove the aerator(34,37) and clean/reattach.

Troubleshooting

1. If water is leaking from the connection tube joints you should retighten the flexible hoses (39,40). It is possible that these connections have loosened when the flexible hoses are tightened to the wall valves.
2. If the water stream is uneven it is possible that debris or grit has blocked the aerator. You can remove the tip of the spout and backflush the aerator. Firmly retighten the retaining nut.
3. If the faucet is loose or rotating at the base as it enters the countertop you should retighten the nut (26) ensuring the handle lever assembly is correctly positioned.