



Zomodo Vessel Sink - Drain Disassemble Instructions

PLEASE READ FIRST BEFORE ATTEMPTING INSTALLATION

Remove the metal drain tailpiece from the sink bottom or box.

The drain is positioned upside down for packaging purposes and needs to be unscrewed.

1. With one hand hold the long center drain thread. With the other hand spin the steel mounting plate (which is attached to the white drain cup) counterclockwise
2. Keep turning until the white drain cup is completely unscrewed from the center drain thread. BE CAREFUL to hold on to the drain cup when unscrewed so the steel mounting plate does NOT FALL into the sink bowl and scratch the surface.
3. Unscrew the steel mounting plate by turning into counterclockwise while hold the white drain cup (and turning this counterclockwise at the same time).
4. After several rotations the white zip tie should snap off. If not, keep turning until it does or use a box cutter/scissors to cut off the zip tie.
5. Once the steel mounting plate is removed, unscrew the 3 mounting screws and re-screw them back on the opposite side of the hole.

Your disassembly of the drain kit is complete. Now please refer to the Installation manual below:

VANITY

**ZO
MO
DO**

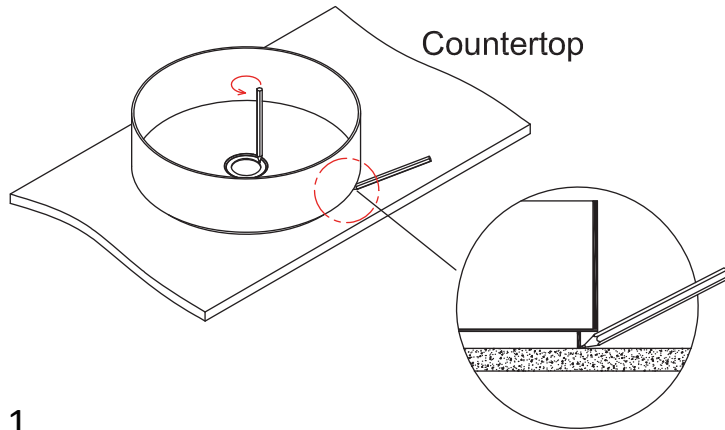
ZOMODO.CA

VESSEL INSTALLATION



**ZO
MO
DO**

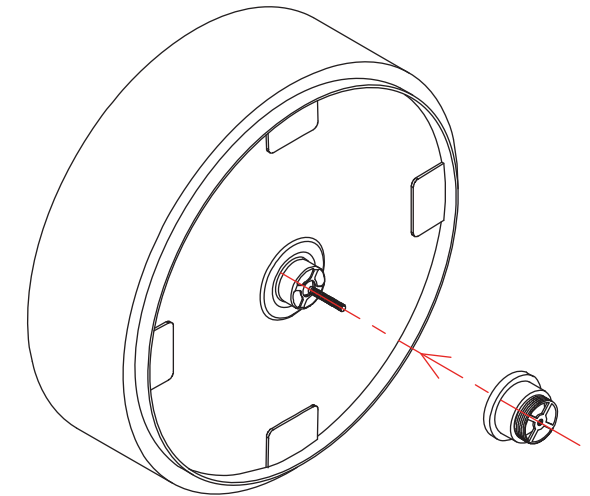
ZO
MO
DO



Step 1

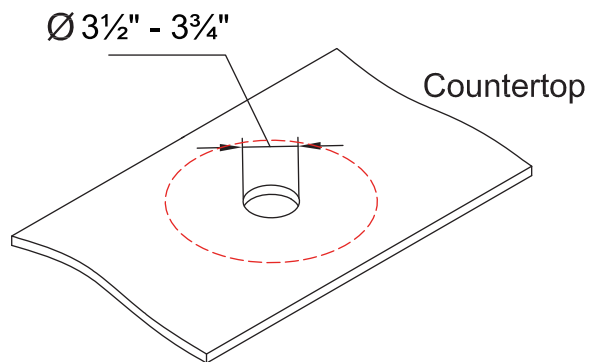
Position the basin in the desired location and with a sharp pencil outline the waste hole. Then scribe outline line around the basin ring (base).

ZO
MO
DO



Step 3

Install the drain kit. Tighten the threaded ring (**VERY FIRMLY**).

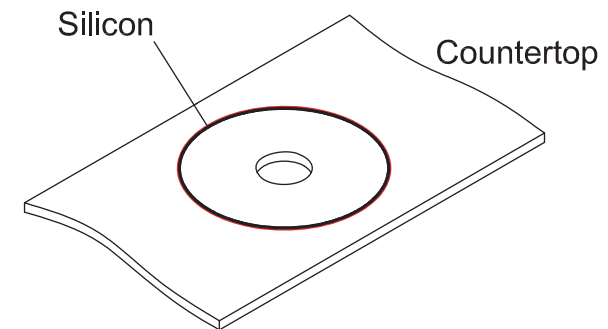


Step 2

For a countertop thickness of up to 1 1/8"(30mm) make the drain hole size 3 1/2"(89mm) Dia.
For a countertop thickness between 1 1/8"(30mm) - 1 3/8"(35mm) make the drain hole size 3 3/4"(95mm) Dia.

**Mounting hardware device CANNOT accommodate countertops thicker than 1 3/8"(35mm). Consult your plumber for other securing methods.*

VBC406R/VBC4035/VBC5035

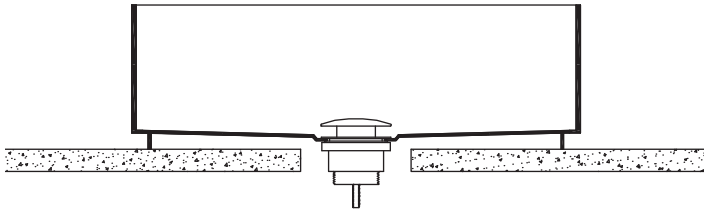


Step 4

Apply a thin bead of silicon inside the scribed ring line at about 2 to 3mm inside the line.

VBC406R/VBC4035/VBC5035

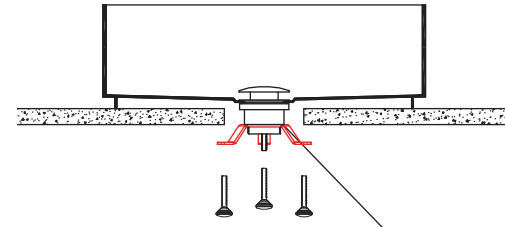
ZO
MO
DO



Step 5

Place the basin onto the countertop exactly over the scribed outline and on top of the silicon ring. (If any silicon pushes to the outside of the ring allow it to set and then use a small box-cutter knife to trim and peel away the silicon.)

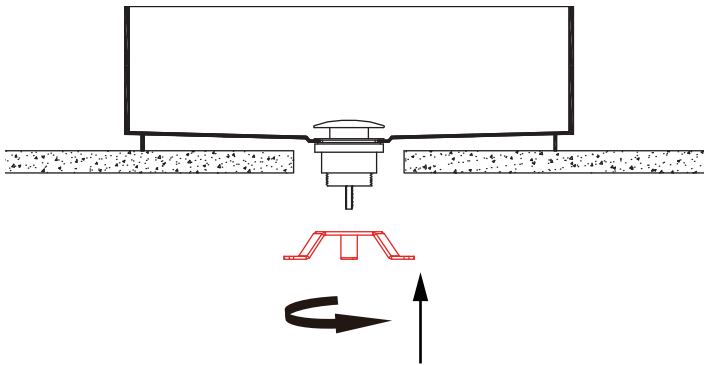
ZO
MO
DO



Screw the thumb screws
into the fastener device

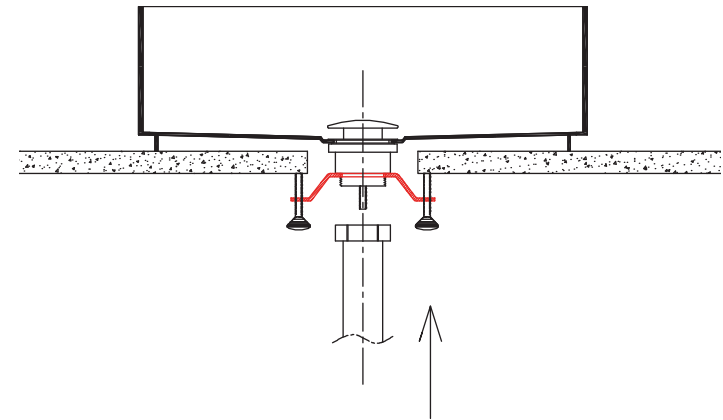
Step 7

Install three thumb screws into the fastener device and tighten the thumb screws against the countertop **DO NOT OVERTIGHTEN.**



Step 6

Screw the fastener device onto the drain kit outlet from underneath.



Step 8

Install drainage fittings (bottle trap or similar).