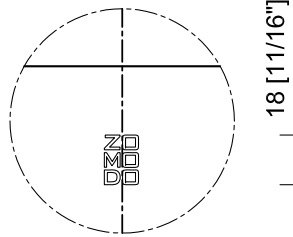


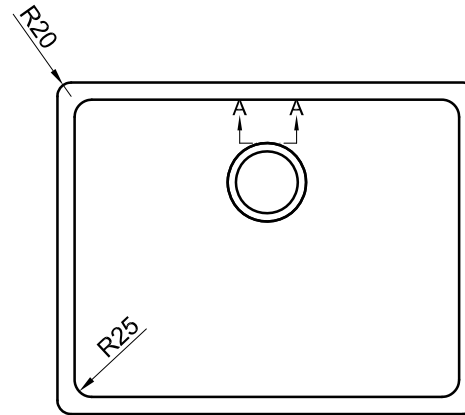
300 [12"]



18 [1 1/16"]

A - A
4:1

Pressed logo



432 [17"]

482 [19"]

559 [22"]

609 [24"]

1. Waste kit, waste cover, tailpiece
2. Undermount clip set (UMG) included
3. EPS protection
4. Carton
5. Label



Product code | ZLC130U-BK

Material | SUS304 - 16 ga

Finish | Black Pearl

Date | 3 Nov 2020