

**ZO  
MO  
DO**

ZOMODO.CA

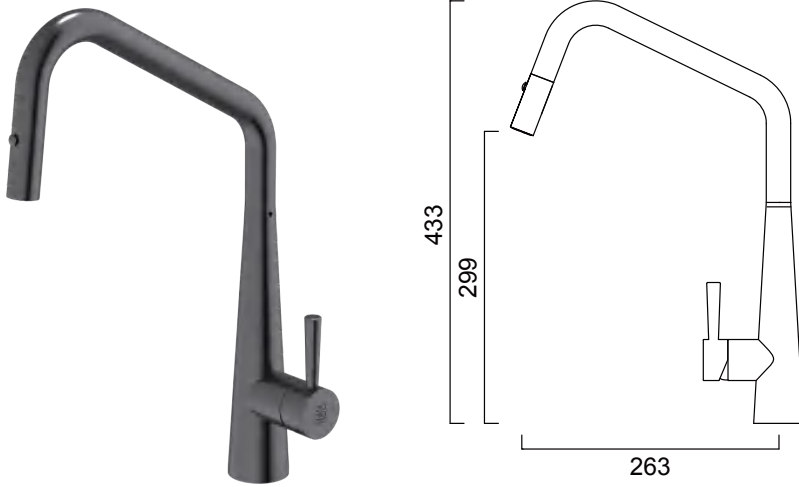


**FAUCET INSTALLATION**

**ZO  
MO  
DO**

**\*\*KTC016-PBK and KTC016-BR single function, pullout models, have slightly different parts than the drawings below\*\***

ZO  
MO  
DO



## Care and Maintenance

In order to ensure proper function over the lifetime of the faucet, smoothly operate the handle and pull-out hand shower during use. When installing do not over tighten the locking nut. Regularly clean the faucet with a soft, damp cloth and avoid abrasive cleaners, steel wool, and strong chemicals.

## Working Specifications

Working pressure: 20-100 psi  
Working temperature: 1-60°C

This faucet must be installed with isolating/wall valves in accordance with local installation codes. All ZOMODO faucets are strongly recommended to be installed by a licensed plumber. Improper installation may void the warranty.

## Notes

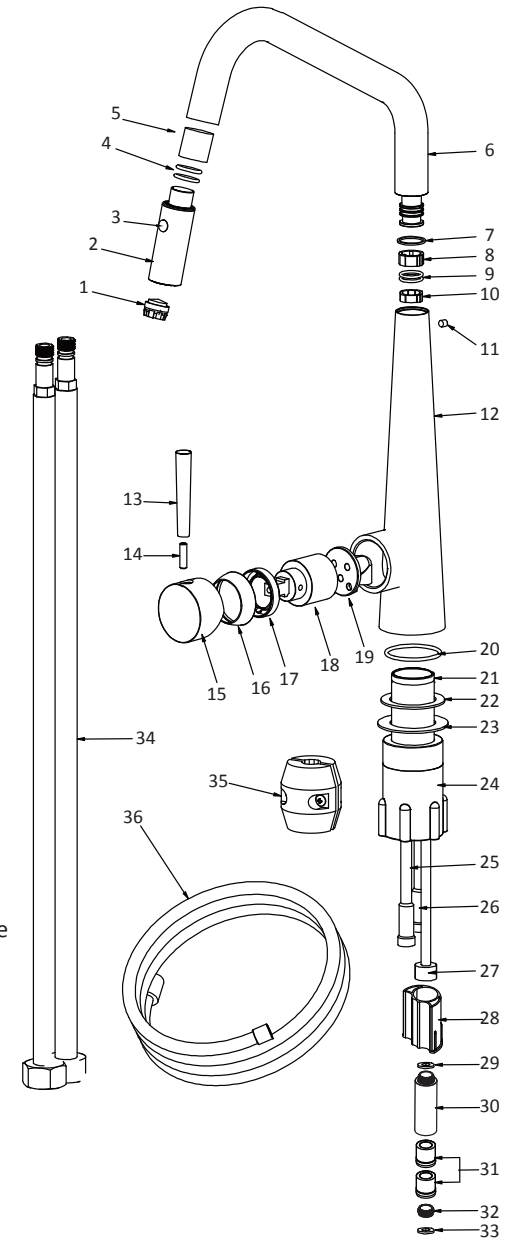
1. All pipework must be thoroughly flushed prior to installation as foreign materials may block the flow .
2. Aerator and the flow control can be removed with standard tool and cleaned.
3. If a screen-filter is fitted into the faucet, remove it and flush the pipes and faucet to remove grit. Then re-insert the screen.

KTC016

## Parts List

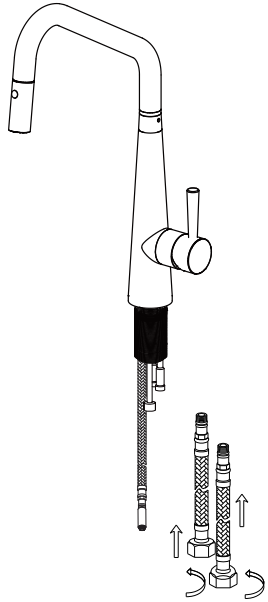
- 1 Aerator
- 2 Pull out spray
- 3 Button
- 4 O-ring
- 5 Plastic sleeve
- 6 Spout
- 7 Guide washer
- 8 Guide sleeve
- 9 O-ring
- 10 Guide nut
- 11 Screw
- 12 Faucet body
- 13 Pin lever
- 14 Screw
- 15 Handle cap
- 16 Cover
- 17 Locking Nut
- 18 Cartridge
- 19 Cartridge base
- 20 O-ring
- 21 Locking Screw
- 22 Steel washer
- 23 Plastic washer
- 24 Plastic locking nut
- 25 Connection tube - hot
- 26 Connection tube- cold
- 27 Connection tube - pull out hose
- 28 Pull-out hose guide
- 29 Washer
- 30 Brass connector
- 31 Check-valve
- 32 Brass connector
- 33 Washer
- 34 Flexible hose
- 35 Weight
- 36 Pull out hose

ZO  
MO  
DO



KTC016

ZO  
MO  
DO

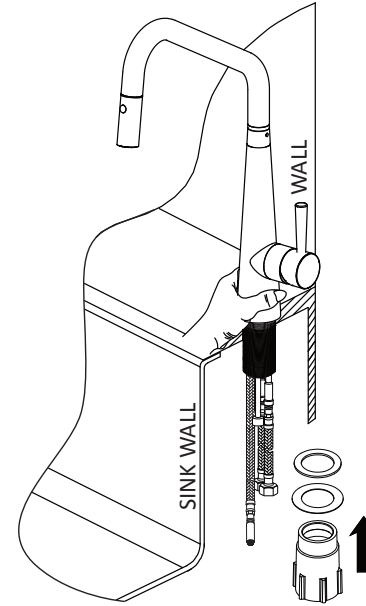


### Step 1

Attach the hoses (34) to the connection tube (25,26) and tighten firmly. Do not use thread tape, as the water-tight seal is provided by O-rings. Do not over tighten.

Note: Use the hose with RED braid-strands for the hot water connection. Connect hot water to the rigid pipe with red marking.

ZO  
MO  
DO

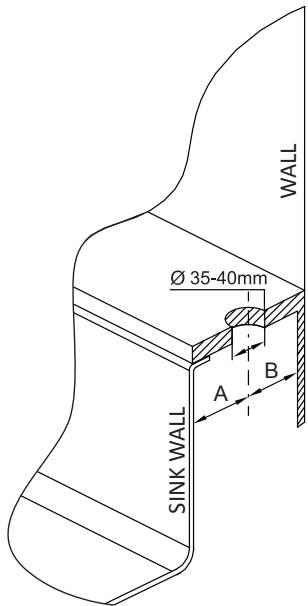


### Step 3

Insert the faucet into the countertop and ensure the O-ring (20) is secure in the groove of the faucet body. Then slide the washers (21 and 22) onto the threaded body of the faucet followed by the nut (24) in the order shown in the diagram. Tighten the nut (24) by hand and ensure the faucet is correctly aligned above the countertop.

### Step 2

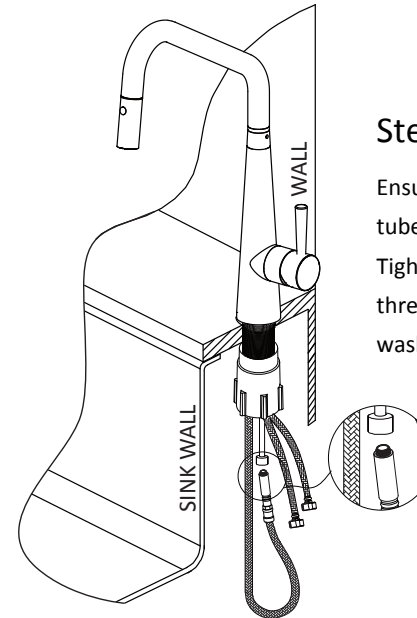
Locate a hole centre in the countertop at least 50mm from the wall and with enough clearance to the rim/flange of the sink. Dim. A >50mm(2") and Dim. B >50mm (2") . If you need to locate the faucet within these dimensions, you should ensure enough clearance for the mounting washers and nut (22,23,24). Cut a hole 35 to 40mm diameter into the countertop .



KTC016

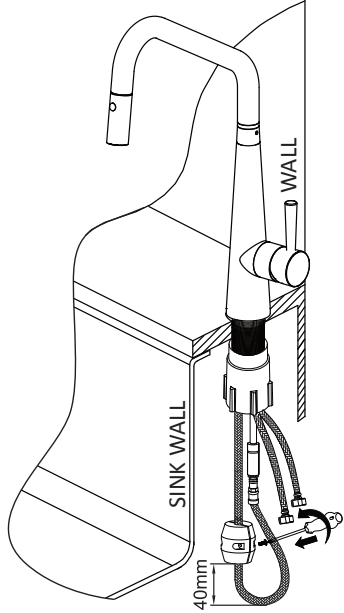
### Step 4

Ensure washer (33) is inserted into connection tube (27) before attaching pull-out hose (36). Tighten with the small spanner. Do not use thread tape, as the water-tight seal is provided washer (33).



KTC016

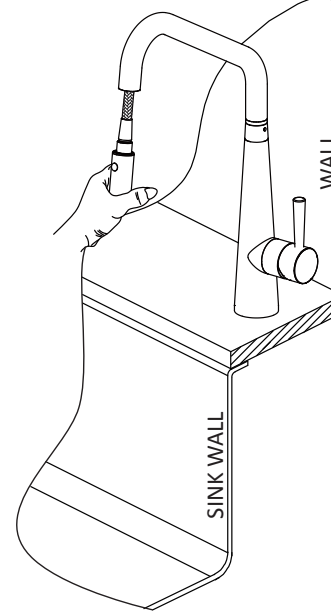
ZO  
MO  
DO



### Step 5

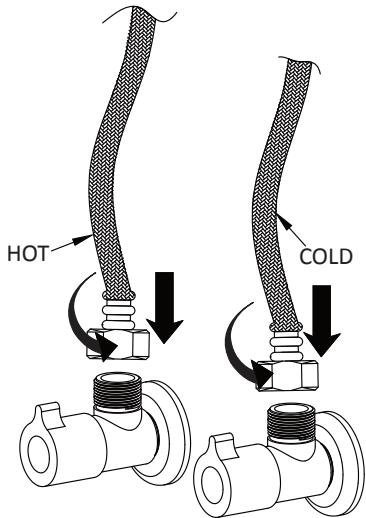
Fit the weigh onto the hose using the 2 screws provided. Position the weight about 40mm(1½”) above the bottom of the hose (36) loop. This will ensure maximum extension and retract.

ZO  
MO  
DO



### Step 7

Test the faucet flow and mix functions, and hose pull-out. If the faucet is fitted with dual spray/stream you should also ensure this is working properly. If any grit etc has entered the faucet you can easily remove the aerator(1) and clean/reattach.



### Step 6

Flush the wall valves to ensure no grit enters the faucet. Now attach the hoses to the wall valves ensuring the hose with RED braid attaches to the hot water outlet.

## Troubleshooting

1. If water is leaking from the connection tube joints (25,26,27) you should retighten the flexible hoses (34) and pull-out hose (36). It is possible that these connections have loosened when the flexible hoses are tightened to the wall valves.
2. If the pull-out hose (36) is catching or not retracting fully, you should ensure that the weight (35) is located just above the bottom of the loop. Also ensure the weight/hose are not catching on items in the cabinet.
3. If the water stream is uneven it is possible that debris or grit has blocked the aerator. You can remove the tip of the spout and backflush the aerator. Firmly retighten the retaining nut.
4. If the faucet is lose or rotating at the base as it enters the countertop you should retighten the nut (24) ensuring the handle lever assembly is correctly positioned.
5. If the spout (6) is loose at the connection to the body (12) you may need to gently tighten the small grub screw (11). Do not over tighten the grub screw or the spout will not rotate.