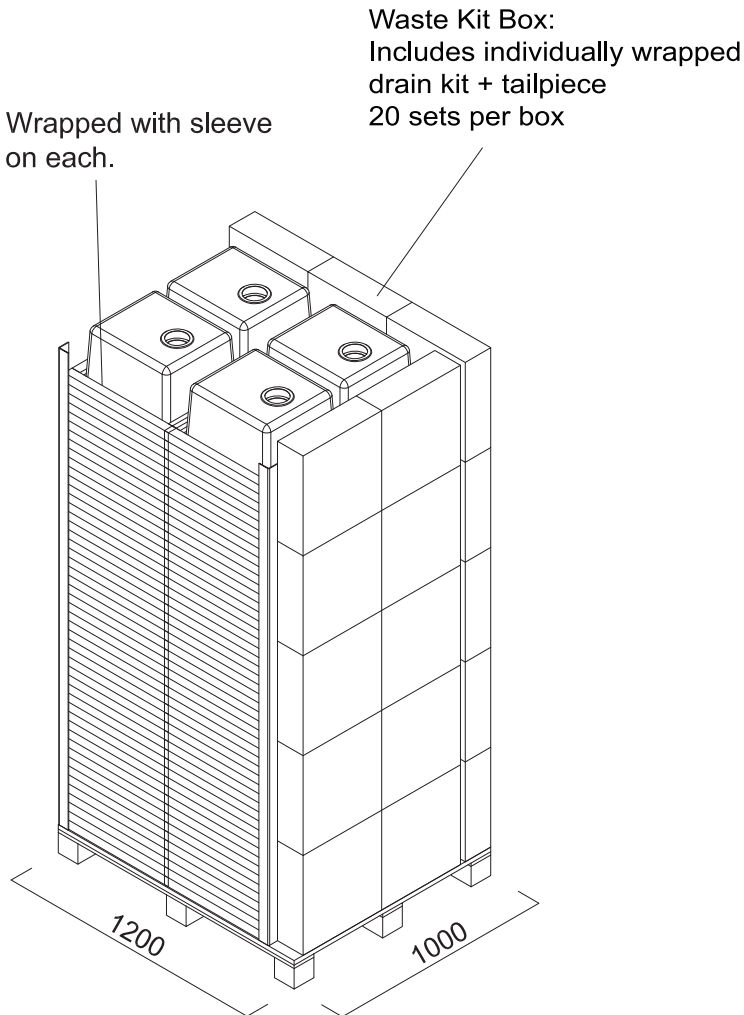
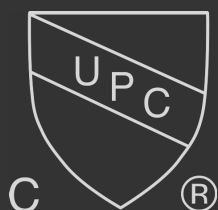
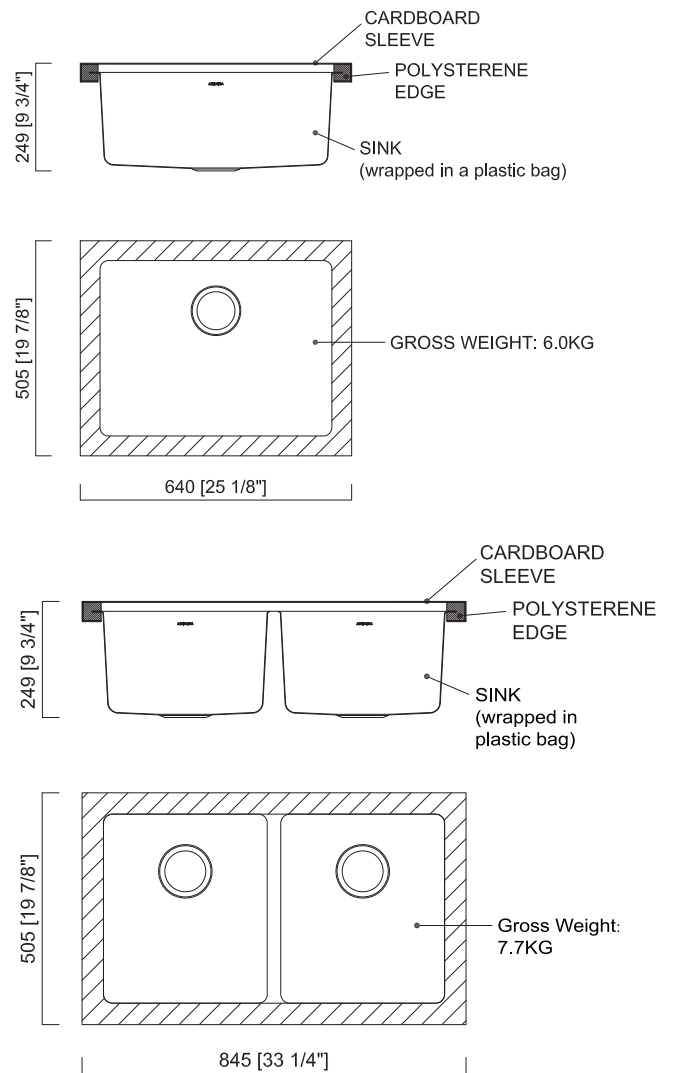


Pallet Diagram:



MOQ 50pcs per pallet

Sleeve Diagram: Single & Double



Certification:
All Arcadia commercial sinks and waste kits are cUPC tested & certified, and meet the requirements of ASME A112.19.3-2008/CSA B45.4-08 – Stainless steel plumbing fixtures.