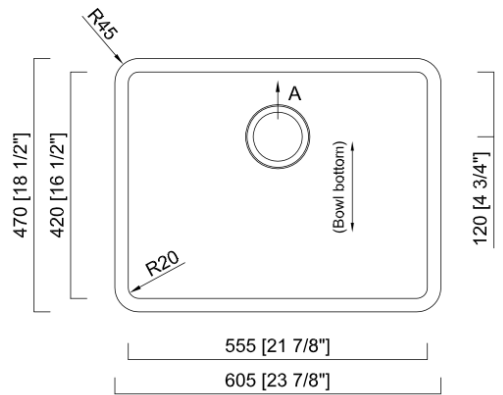
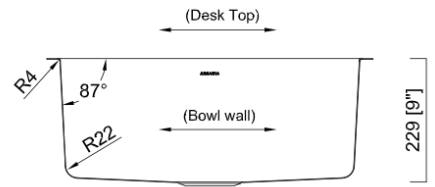
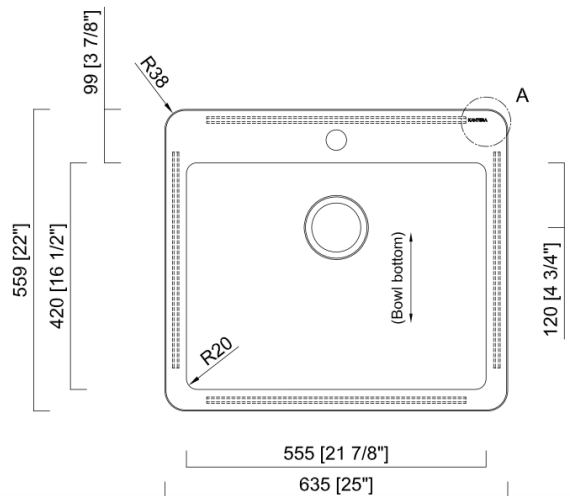
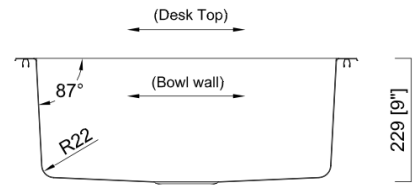


ARCADIA

COMMERCIAL SINKS



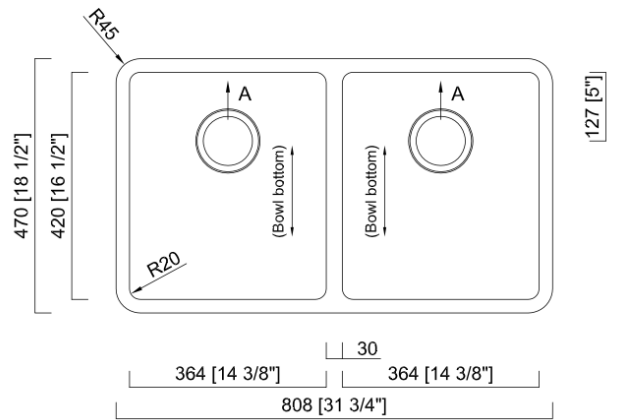
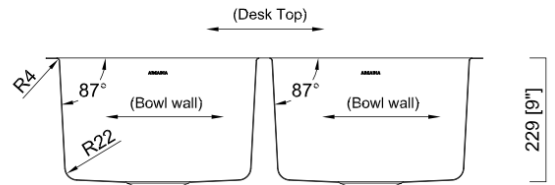
Code:	ARC130U
Outer Dimension:	23 ⁷ / ₈ x 18 ¹ / ₂ x 9"
Bowl Dimension:	21 ⁷ / ₈ x 16 ¹ / ₂ x 9"
SS Gauge:	16ga
Installation:	Undermount
Includes:	Waste Kit, Tailpiece, Clips
Packaging Options:	
ARC130U-NP	Nested Pallet (MOQ 50)
ARC130U-5	5-Pack (MOQ 20)



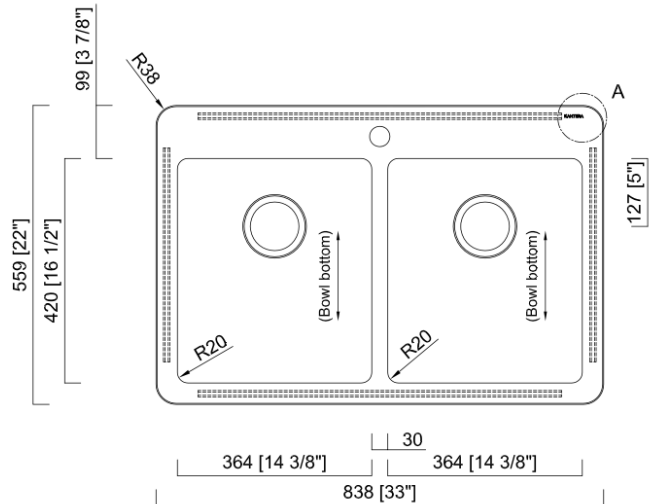
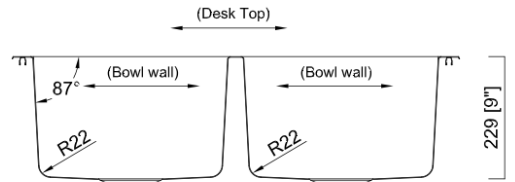
Code:	ARC130T
Outer Dimension:	25 x 22 x 9"
Bowl Dimension:	21 ⁷ / ₈ x 16 ¹ / ₂ x 9"
SS Gauge:	16ga
Installation:	Topmount (Drop-In)
Includes:	Waste Kit, Tailpiece, Clips, Template
Packaging Options:	
ARC130T-NP	Nested Pallet (MOQ 50)
ARC130T-5	5-Pack (MOQ 20)

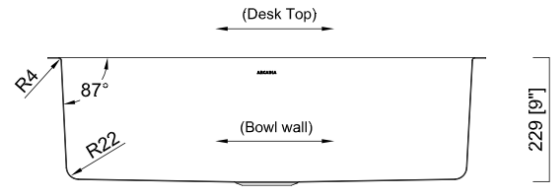


Code:	ARC200U
Outer Dimension:	31 ⁷ / ₈ x 18 ¹ / ₂ x 9"
Bowl Dimension:	14 ³ / ₈ x 16 ¹ / ₂ x 9"
SS Gauge:	16ga
Installation:	Undermount
Includes:	Waste Kit, Tailpiece, Clips
Packaging Options:	
ARC200U-NP	Nested Pallet (MOQ 50)
ARC200U-5	5-Pack (MOQ 20)

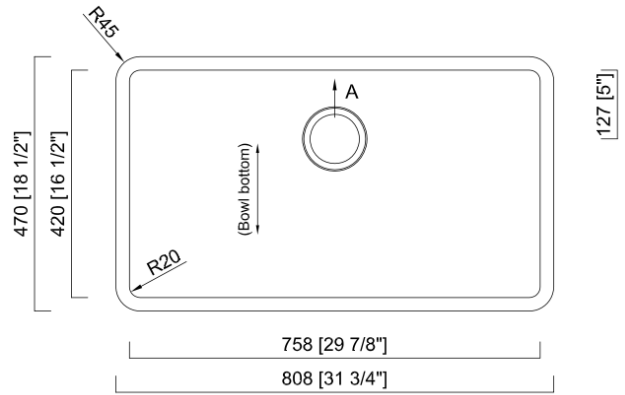


Code:	ARC200T
Outer Dimension:	33 x 22 x 9"
Bowl Dimension:	14 ³ / ₈ x 16 ¹ / ₂ x 9"
SS Gauge:	16ga
Installation:	Topmount (Drop-In)
Includes:	Waste Kit, Tailpiece, Clips, Template
Packaging Options:	
ARC200T-NP	Nested Pallet (MOQ 50)
ACR200T-5	5-Pack (MOQ 20)

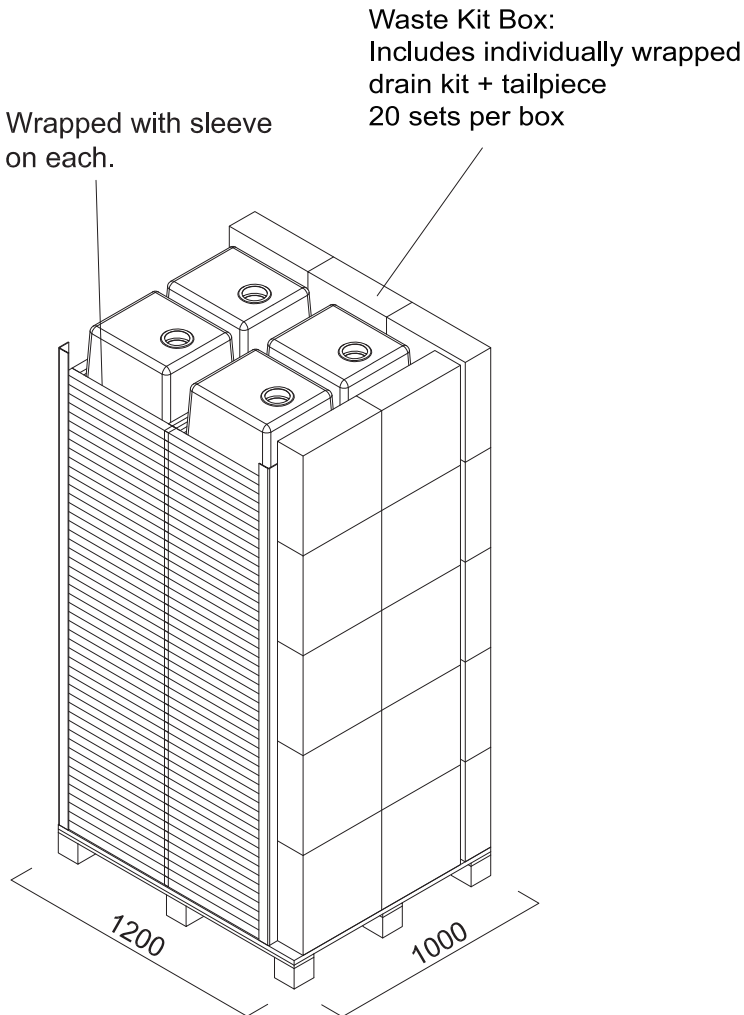




Code:	ARC140U
Outer Dimension:	31¾ x 18½ x 9"
Bowl Dimension:	29⅞ x 16½ x 9"
SS Gauge:	16ga
Installation:	Undermount
Includes:	Waste Kit, Tailpiece, Clips
Packaging Options:	
ARC140U-NP	Nested Pallet (MOQ 50)
ARC140U-5	5-Pack (MOQ 20)

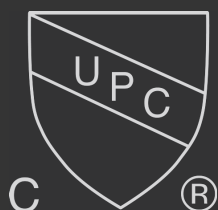
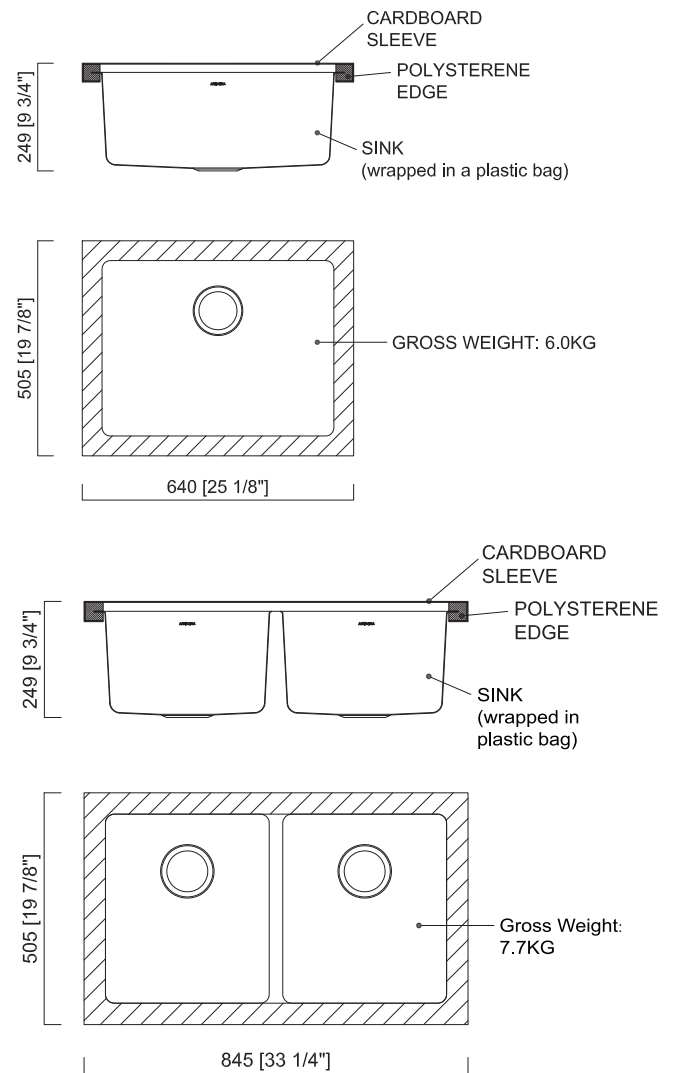


Pallet Diagram:



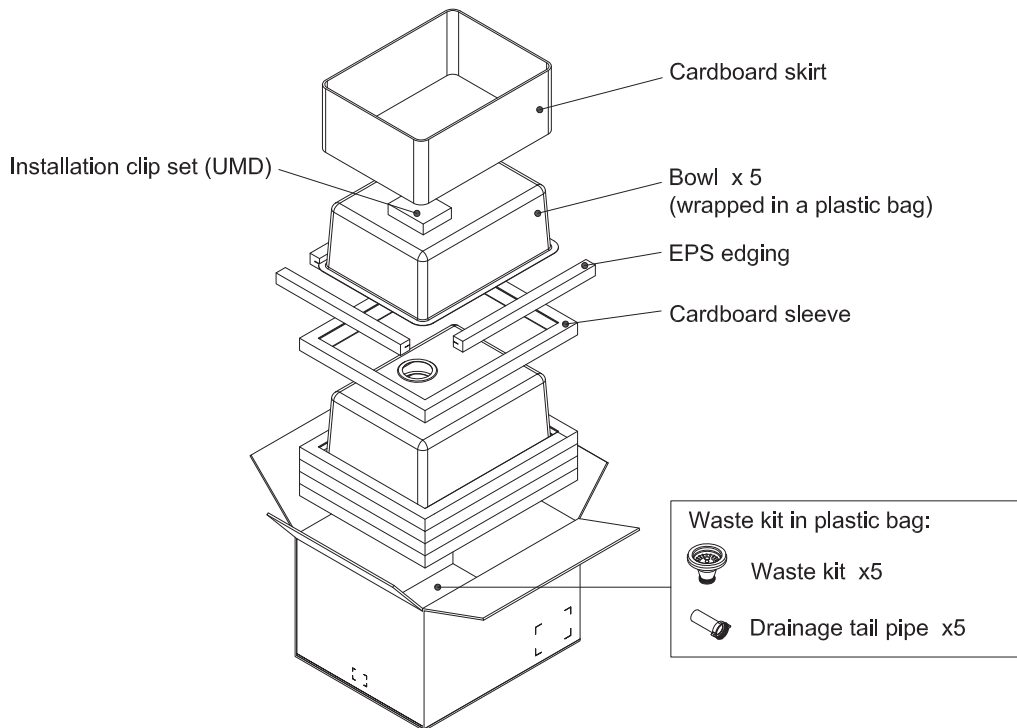
MOQ 50pcs per pallet

Sleeve Diagram: Single & Double



Certification:
All Arcadia commercial sinks and waste kits are cUPC tested & certified, and meet the requirements of ASME A112.19.3-2008/CSA B45.4-08 – Stainless steel plumbing fixtures.

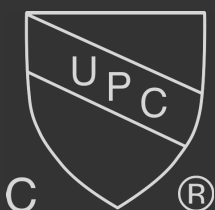
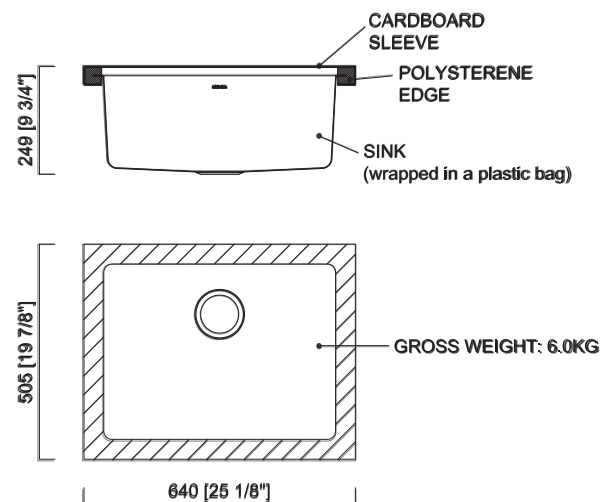
5-Pack Carton Diagram:



5-Pack Carton - Size & Weight:

ARC130U-5	26" x 21" x 18"	77lb
ARC130T-5	27" x 24" x 18"	93lb
ARC200U-5	34" x 21" x 18"	103lb
ARC200T-5	35" x 24" x 18"	118lb
ARC140U-4	34" x 21" x 18"	93.5lb

Sleeve Diagram:



Certification:

All Arcadia commercial sinks and waste kits are cUPC tested & certified, and meet the requirements of ASME A112.19.3-2008/CSA B45.4-08 – Stainless steel plumbing fixtures.