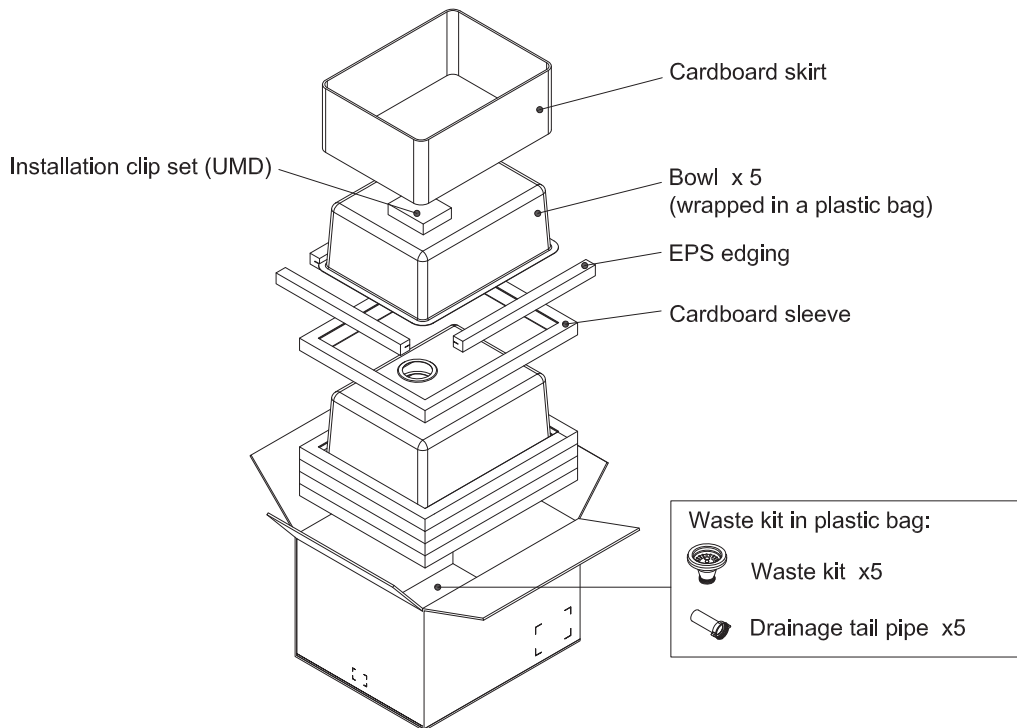


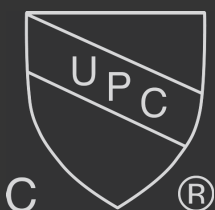
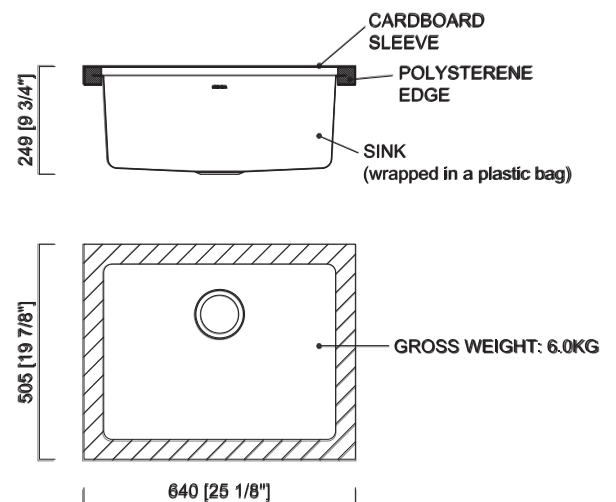
5-Pack Carton Diagram:



5-Pack Carton - Size & Weight:

ARC130U-5	26" x 21" x 18"	77lb
ARC130T-5	27" x 24" x 18"	93lb
ARC200U-5	34" x 21" x 18"	103lb
ARC200T-5	35" x 24" x 18"	118lb
ARC140U-4	34" x 21" x 18"	93.5lb

Sleeve Diagram:



Certification:

All Arcadia commercial sinks and waste kits are cUPC tested & certified, and meet the requirements of ASME A112.19.3-2008/CSA B45.4-08 – Stainless steel plumbing fixtures.